



## Technical Data Sheet

### OPUS B2 Plus Basic



## 1 Notes and Warnings

### Attention!

This description is not a substitution for the concerned product's documentation. Please do read the documentation including the manuals carefully before dealing with this product. If the safety instructions in the documentation are not followed dangerous situation can occur that can result in damages, injuries and/or death by high voltage or wrong handling. In case you do not have the correct documentation, you can order it by contacting **opus-support@topcon.com**. Only properly trained personnel with the correct qualification are allowed to handle the device.

### Attention!

Do not open the housing to avoid danger to high voltage. Before touching the electric assemblies make sure that the electricity is switched off completely. If the front panel is broken the device needs to be taken out of service due to risk of injury. If perceivable damages on the device exist that can compromise the functionality, it must be taken out of service due to the danger of malfunctions. These particularly include damages to the LCD display, damages to the keyboard, damages that compromise the protection level and damages to the encoder knobs.

### Please note:

All content is subject to change without notice. Errors and omissions excepted.

### Mounting and Handling

- Do not use the cable as a handle to carry the device.
- Mounting in clean working environment only.
- Do not mount the device under the use of violence because it can cause damage.
- The device must be mounted by trained personnel only into especially designed and tested system.
- The device may not be opened or disassembled.
- The device is to be cleaned with a moist fuzz free cotton cloth. If necessary, a mild cleaning agent may be used. Do not use acid or abrasive cleaning agents.
- The device is to be stored in a cool and dry environment and to be protected against sunshine.
- If the environmental temperature is beneath 10°C the reaction time of the display increases.
- Picture sticking is possible at higher temperatures if no screensaver is used

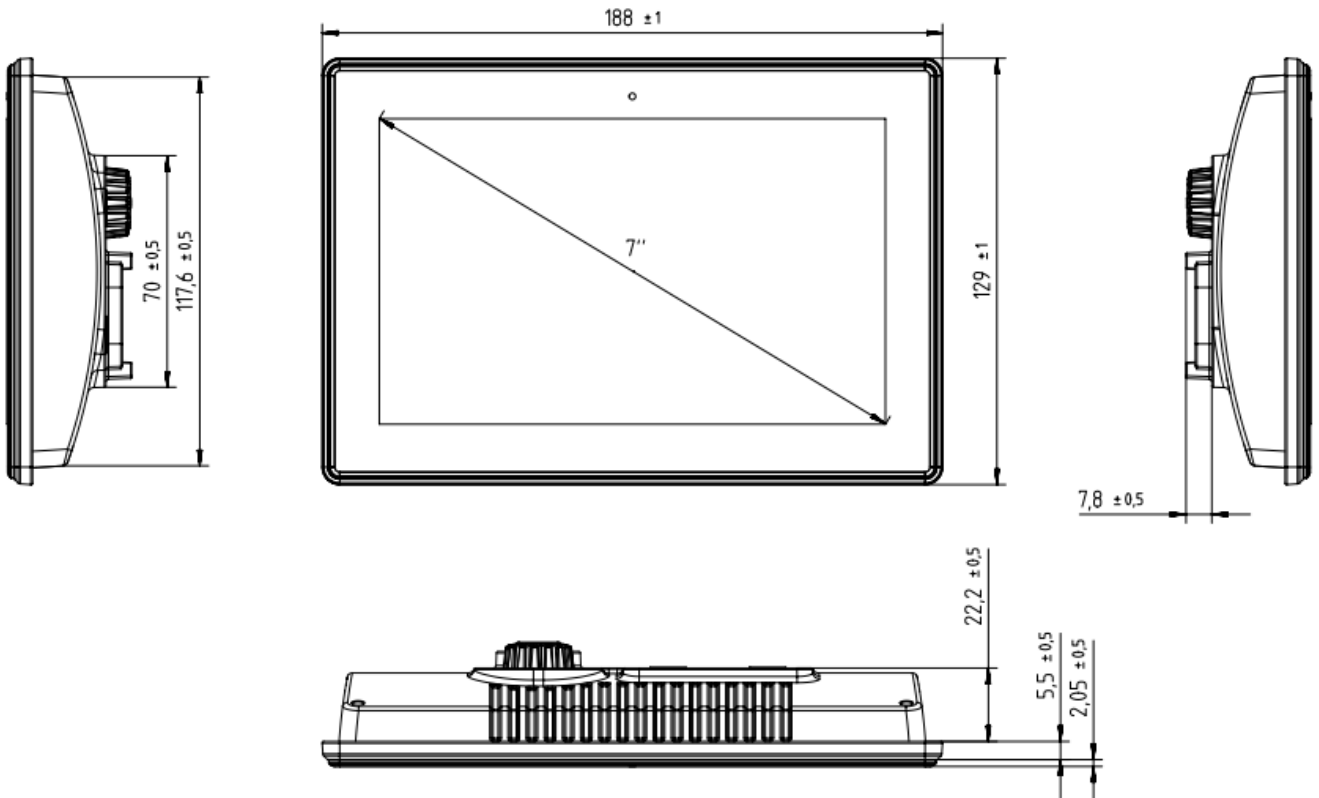
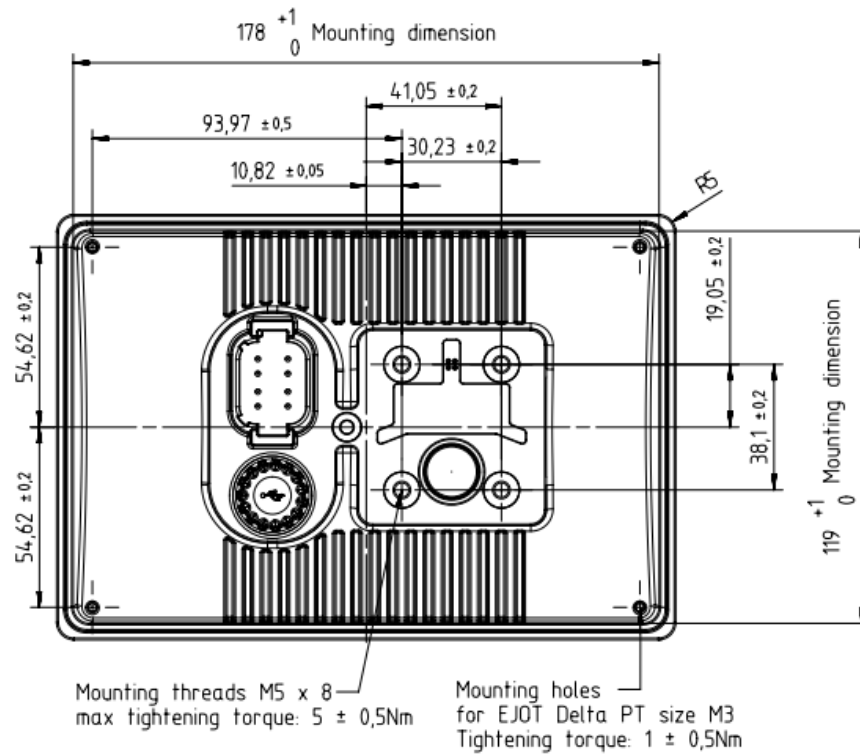
## 2 General Information

### Order numbers

This documentation is valid for **OPUS B2 Plus - Series** order numbers as follows:

	OPUSB2EP1CANB000	OPUSB2EP1CDSB000
	OPUSB2SP1CANB000	OPUSB2SP1CDSB000
<b>OPUS Projektor</b>	•	
<b>CODESYS®</b>		•

## Dimensions OPUS B2 Plus Eco



### Housing

Glas, PC/ABS

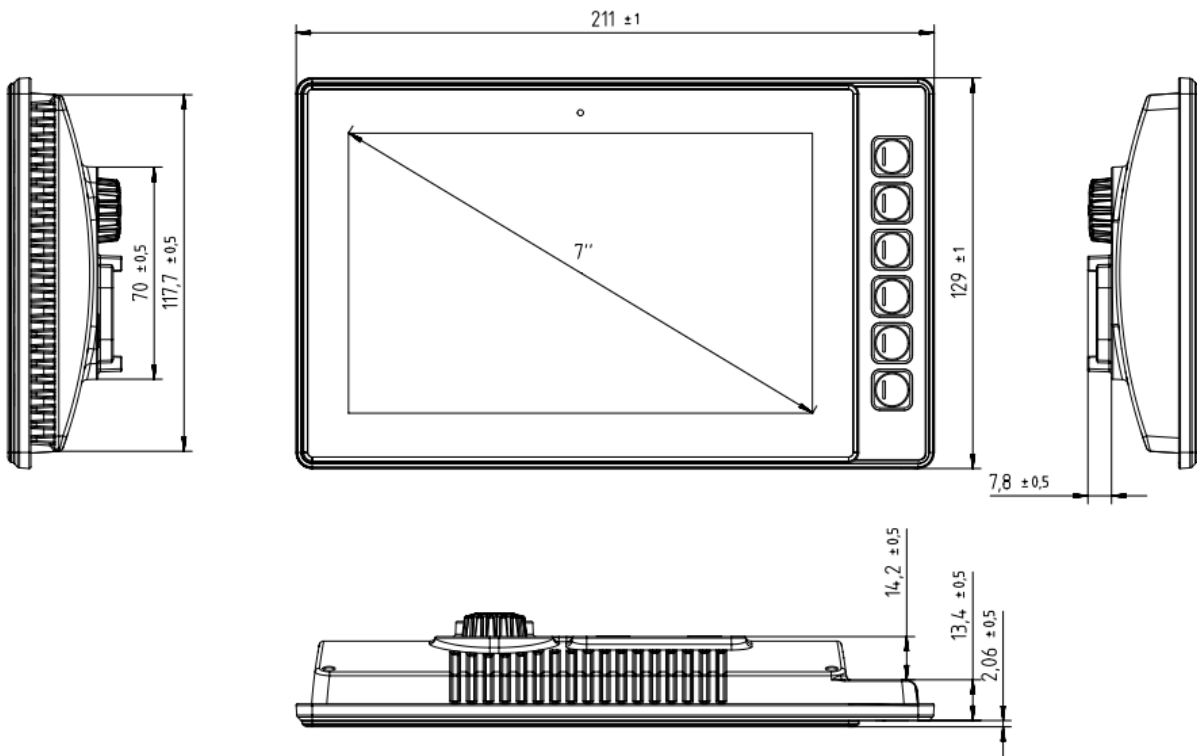
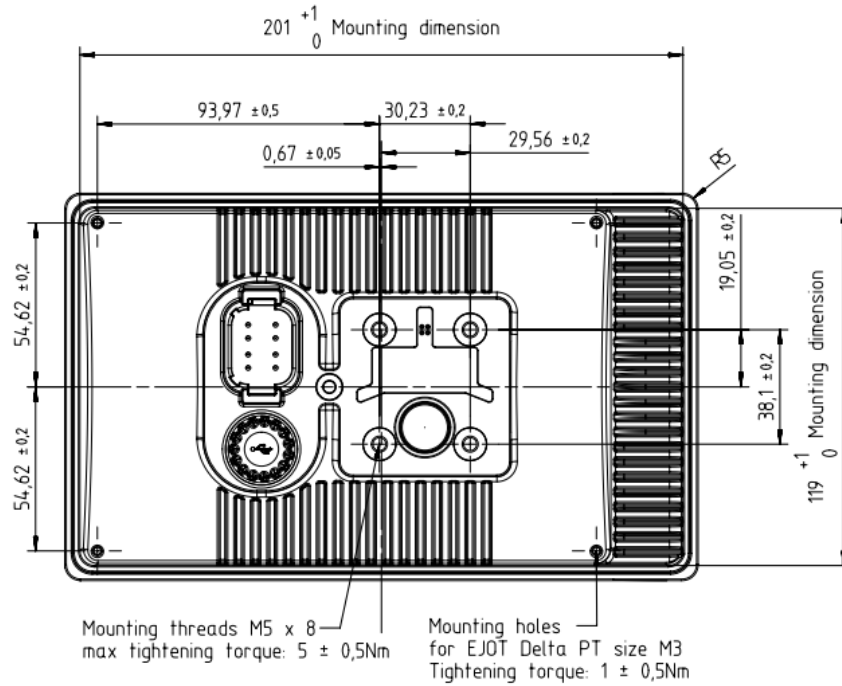
### Weight

~ 460g

### Mounting

- landscape or portrait
- standalone
- in-dash

## Dimensions OPUS B2 Plus Standard



### Housing

Glas, PC/ABS  
 Autotex XEF200

### Weight

~ 490g

### Mounting

- landscape or portrait
- standalone
- in-dash

### 3 Display

	B2 Plus Eco Basic	B2 Plus Standard Basic
Type:	TFT Color Graphic LCD with LED backlight	
Size:	~188 x 129 x 37,5 mm	~211 x 129 x 37,5 mm
Resolution:	800 x 480 px, 15:9	
Colors:	16.7 Mio.	
Brightness:	typ. 900 cd/m <sup>2</sup>	
Contrast Ratio:	typ. 1.000:1	

### 4 Input Devices

Touch	N/A
Indicators and Sensors	6 keys with fluorescent print w/o Backlight (only <b>B2 Plus Standard Basic</b> ) Light sensor

### 5 Electronics

#### Processor platform

CPU:	Freescaple NXP i.MX 6 ULL 32-bit MPU, ARM Cortex-A7 core, 528MHz
Mass storage:	2 GB (4GB eMMC in pSLC-Mode)
RAM:	256 MB, DDR3L, 1600Mbps
RTC:	run time counter, without buffer

Buzzer	N/A
--------	-----

#### Power supply

System supplied through terminal 30 (battery +, see pinout) and 31 (battery -, see pinout).  
 Terminal 15 (ignition) to be used to switch on/off.  
 Operating voltage range: 9 ... 36 V DC.  
 Short circuit protection.  
 Over-voltage protection up to 48 V, required to power up the device for max. 5 min.  
 Inverse polarity protection up to -48 V DC for max. 5 min.

#### Current consumption (without external load), max

Power Mode	Current at 12 V
On	~390mA@12V (<5W)
Off	~ 2mA@12V

## 6 Interfaces

### CAN Bus

2 x ISO 11898, CAN-specification 2.0 B active,  
up to 1 Mbit/s

All interfaces are CAN-FD tolerant

---

### USB

Back connector: USB 2.0, Type C, high speed,  
1A, short protected  
against Vbus, thermal  
protected, ault flag

## 7 Connectors

### Connectors

**Main**            Deutsch DT06-08SA

**Back USB**     USB-Type C

## 8 Software

Operating System            Linux

---

Application Programming     • Topcon Projektor Tool  
   • CODESYS  
   • C/C++

## 9 Testing and Verification

### CE-Compliance

*EU Directive 2014/30/EU (EMC) according to*

- *EN 13309: Construction machinery – Electromagnetic compatibility of machines with internal electrical power supply*
  - *EN ISO 14982: Agricultural and forestry machinery - Electromagnetic compatibility - Test methods and acceptance criteria*
  - *EN 50498: Electromagnetic compatibility (EMC). Product family standard for aftermarket electronic equipment in vehicles*
  - *EN 12895: Industrial Trucks – Electromagnetic compatibility*
  - *EN 61000-6-2: Electromagnetic compatibility (EMC) - Generic standards - Immunity for industrial environments*
  - *EN 61000-6-4: Electromagnetic compatibility (EMC). Generic standards. Emission standard for industrial environments*
-

### EMC Emission radiated

30-75 MHz	62-52 <sup>1</sup> dB(μV/m) – QP – 120kHz
	52-42 <sup>1</sup> dB(μV/m) – AV – 120kHz
75-400 MHz	52-63 <sup>2</sup> dB(μV/m) – QP – 120kHz
	42-53 <sup>2</sup> dB(μV/m) – AV – 120kHz
400-1000 MHz	63 dB(μV/m) – QP – 120kHz
	53 dB(μV/m) – AV – 120kHz
1000-2500 MHz	73 dB(μV/m) – P – 120kHz
	53 dB(μV/m) – AV – 120kHz
2500-6000 MHz	80 dB(μV/m) – P – 1000kHz
	60 dB(μV/m) – AV – 1000kHz

QP: Quasi-Peak

AV: Average

P: Peak

1: Value decreases linearly with the logarithm of the frequency.

2: Value increases linearly with the logarithm of the frequency.

### EMC Immunity radiated

20MHz to 800MHz with amplitude modulation 800MHz to 6GHz with pulse modulation

30V/m for the radiated field (absorber lined chamber) testing method (ISO 11452-2) in vertical and horizontal polarization

OR/AND

60mA for the Bulk Current Injection (BCI) testing method (ISO 11452-4)

### EMC Emission conducted

	<b>12V-System</b> (Maximum values)	<b>24V-System</b> (Maximum values)
	Positive slow pulses: +37V	Positive slow pulses: +37V
	Negative slow pulses: -75V	Negative slow pulses: -150V
	Positive fast pulses: +75V	Positive fast pulses: +150V
	Negative fast pulses: -112V	Negative fast pulses: -150V
	<b>12 V-System</b>	<b>24 V- System</b>
Test Pulse 1	Us = 112 V; FS: C	Us=-450V; FS: C
Test Pulse 2a	Us=+55V; FS: B	Us=+55V; FS: B
Test Pulse 2b	Us=+10V; FS: C	Us=+20V; FS: C
Test Pulse 3a	Us=-165V; FS: A	Us=-220V; FS: A
Test Pulse 3b	Us=+112V; FS: A	Us=+220V; FS: A
Test Pulse 4	Us <sub>6</sub> =6V; Us=6.5 V FS: B	Us <sub>6</sub> =6V; Us=10V FS: B
(Starting profile)		
Load Dump	Us=+35V; FS: C	Us=+58V; FS: C

FS: Function Status

## Electrostatic Discharge

+/- 4kV contact discharge; FS: A  
+/- 8kV contact discharge; FS: C

+/- 4kV air discharge; FS: A  
+/- 8kV air discharge; FS: B  
+/- 15kV air discharge; FS: C

### E1 – Type approval

*EU Directive ECE R 10*

### Protection Level (IP Code)

IP66 and IP67 according to ISO 20653: Road Vehicles – Degrees of protection (IP-Code) – Protection of electrical equipment against foreign objects, water and access

### Electrical

12 and 24V-Systems according to:

#### Inverse Polarity resistance

5min @ -48V (no defect)

#### Over voltage resistance

5min @ +48V (no defect)

#### Start behavior

Start over Temperature

Start at TRoom; decrease in 5°steps to TMin; go to TRoom; increase in 5°steps to THigh; Start DUT at each T; Successful start expected

#### Superimposed alternating voltage

Triangle signal, frequency sweep: 50Hz-25kHz-50Hz inside 60s; FS: A

Level	12V	24V
AC peak-to-peak UPP1	1VAC	4VAC
AC peak-to-peak UPP2	2VAC	4VAC
AC peak-to-peak UPP3	4VAC	10VAC

#### De-/Increase Supply Voltage

Sweep Voltage UMin-0V-UMin with 0.5V/min; FS: D



### Drop in Supply Voltage

#### 12 V System

#### 24 V System

UStart=UMin; US=4.5V  
 td=100ms; FS: B

UStart=UMin; US=9V  
 td=100ms; FS: B

### Battery less Operation

#### 12 V System

#### 24 V System

U1=10V; U2=18V;  
 t=5min; FS: A

U1=20V; U2=38V;  
 t=5min; FS: A

## Mechanical

### Vibration, noise

Frequency [Hz]	PSD [(m/s <sup>2</sup> )/Hz]
10	18
20	36
30	36
138	1.69
200	2
300	1
2000	1

32h per Axis; FS: A

### Vibration, sinusoidal

Resonance sweep

Frequency	Displacement	Acceleration
10 Hz	-	1 g
2000 Hz	-	1 g

0,1 Octave/minute, 30min per resonance

### Endurance Test:

Frequency	Displacement	Acceleration
10 Hz	-	5 g
2000 Hz	-	5 g

0.5 Octave/minute, 8 h per resonance. FS: A

### Mechanical shock

Part 1: 300m/s<sup>2</sup>, 18ms, 3 times per axis/direction; FS: A

Part 2: 500m/s<sup>2</sup>, 6ms, 10 times per axis/direction; FS: A

Part 3: 400m/s<sup>2</sup>, 6ms, 4000 times per axis/direction; FS: A

### Drop Test

Drop the DUT on each side and each edge from a high of 1m on a concrete floor.  
 No damage or visible damage.

### Package Drop Test

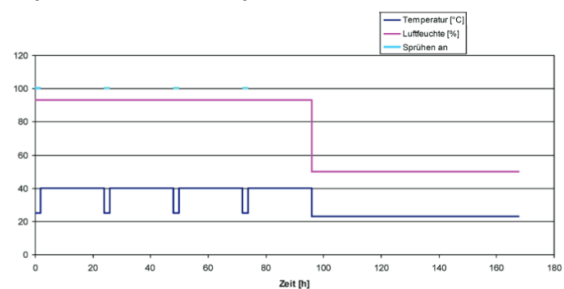
Drop the DUT inside the package on each side and each edge from a high of 1m on a concrete floor.  
 No damage of the DUT  
 No cracks to the package

### Climate

#### Salt spray resistance

Part 1:  
 7 cycles at 24h (8h spraying; 16h rest)  
 salt concentration: 5%

Part 2:  
 4 cycles at 168h; 4 cycle:



#### Chemical resistance

Apply once a day, for three days, the following chemicals with a brush over the exposed surface. Inspect without rinsing immediately afterwards and after 100h.

Alcohol, Antifreeze liquid (Ethyl-glycol), Diesel oil, Domestic Ammonia, Gasoline, Hydraulic oil 10W40, Liquid lime, Motor oil, NPK Chemical fertilizers 20 10 20, Windscreen cleaning mixture, Ammonium Nitrate and Ammonium Phosphate fertilizers, Bovine Effluent - (up to 5% propionic acid), Diesel fuel, STOU (Super Tractor Universal Oil) lubricating oil

#### Damp heat steady

10days @+40°C and 93%r.H.; FS: C

#### Damp heat cyclic

6 cycles (each 24h); TLow=+25°C; THigh=+55°C  
 Humidity: >= 90%r.H.; FS: A

#### Operating temperature

24h @ -30°C; FS: A  
 96h @ +75°C; FS: A

#### Storage temperature

24h @ -40°C; FS: C  
 48h @ +85°C; FS: C

#### Temperature cycling

30 cycles (each 8h); TLow=-30°C; THigh=+75°C; FS: A

#### Temperature shock

100 cycles (each 2h); TLow=-30°C; THigh=+75°C; Tchange: <30s; FS: C

#### UV resistance

Over-all time: 1500h  
 Cycle: 8h UV at +60°C, 4h 95%r.H.  
 No material damage, No visible change

## 10 Pinout

Main connector pinout

Pin No.	Assignment	Description
1	SERV_EN	Service Enable
2	KL15	ignition input; terminal 15
3	KL31	supply voltage -; terminal 31
4	KL30	supply voltage +; terminal 30
5	CAN 2 L	CAN 2 low
6	CAN 2 H	CAN 2 high
7	CAN 1 L	CAN 1 low
8	CAN 1 H	CAN 1 high