

## Technical Data Sheet OPUS A8 STANDARD Full



## 1 Notes and Warnings

### ⚠ Attention!

This description is not a substitution for the concerned product's documentation. Please do read the documentation including the manuals carefully before dealing with this product. If the safety instructions in the documentation are not followed dangerous situation can occur that can result in damages, injuries and/or death by high voltage or wrong handling. In case you do not have the correct documentation you can order it by contacting [dl-opus-info@topcon.com](mailto:dl-opus-info@topcon.com). Only properly trained personnel with the correct qualification are allowed to handle the device.

### ⚠ Attention!

Do not open the housing to avoid danger to high voltages. Before touching the electric assemblies make sure that the electricity is switched off completely. If the front pane is broken the device needs to be taken out of service due to risk of injury. If perceivable damages on the device exist that can compromise the functionality, it must be taken out of service due to the danger of malfunctions. These particularly include damages to the LCD display, damages to the keyboard, damages that compromise the protection level and damages to the encoder knobs.

### Please note:

All content is subject to change without notice. Errors and omissions excepted.

### Mounting and Handling

1. Do not use the cable as a handle to carry the device.
2. Mounting in clean working environment only. Dust and oil can harm the electric contacts and compromise the functionality.
3. Do not mount the device under the use of violence because it can cause damage.
4. The device must be mounted by trained personnel only into especially designed and tested systems.
5. The device must not be opened or disassembled.
6. The device is to be cleaned with a moist fuzz free cotton cloth. If necessary a mild cleaning agent can be used. Do not use acid or abrasive cleaning agents.
7. The device is to be stored in a cool and dry environment and to be protected against sun shine.
8. If the environmental temperature is beneath 10°C the reaction time of the display increases.

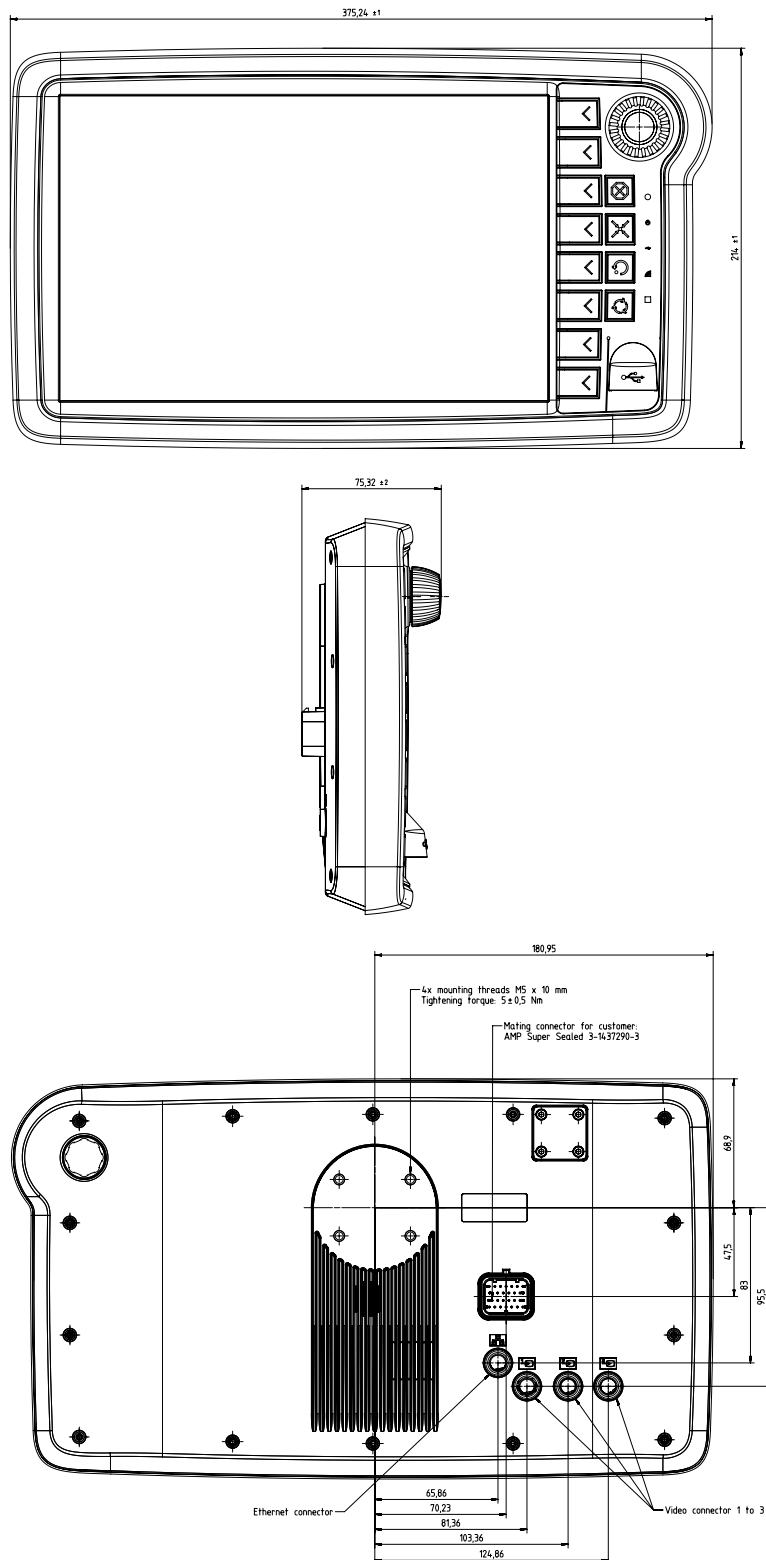
## 2 General Information

### Order Numbers

This documentation is valid for **OPUS A8** order numbers as follows:

	OPUSA8SN1CANF000	OPUSA8SN1CDSF000	OPUSA8SN1UTXF000
<b>OPUS Projektor</b>	•		
<b>CoDeSys</b>		•	
<b>ISO-VT</b>			•

## Dimensions



## Housing

Aluminium back-housing, plastic front-housing, colored light grey (RAL 7035) with black rubber frame.

## Mounting

- Landscape or portrait
- Standalone
- In-dash

### 3 Display

Type:	TFT Color Graphic LCD with LED backlight	Colors:	16,7 Mio.
Size:	12.1", 261 mm (W) x 163 mm (H)	Brightness:	typ. 1000 cd/m <sup>2</sup>
Resolution:	1280 x 800 px (WXGA), 16:10	Contrast Ratio:	typ. 750:1

### 4 Input Devices

**Touch** PCT

**Right Keypad**

- 8+4 keys with tactile feedback
- Multicolor-LED backlight
- Lifetime 1.000.000 actuations

**Indicators and Sensors**

- Light sensor
- 1 Multicolor-LED
- 3 Status-LED's

**Encoder**

- Optical encoder with 16 mechanical detents and push function
- Lifetime: 1 million cycles

### 5 Electronics

#### Processor platform

CPU: NXP I.MX6®, quad core, 1 GHz  
 Mass storage: min. 8 GByte  
 RAM: 1 GByte  
 RTC: Buffered by gold cap

**Speaker** • 80 dB(A) in 1m distance @ 1 kHz

#### Power supply

Operating voltage range: 9 ... 36 V DC  
 Protection: Short circuit protection  
 Overvoltage resistance: 48V for max. 5 minutes  
 Inverse polarity protection: Up to -48 V DC for max. 5 minutes

#### Current consumption (without external load), max.

Power Mode	Current at 13,5 V DC	Current at 27 V
On	≤ 1,6 A	≤ 0,7 A
Low-power	Depending on config	
Sleep	≤ 0,2 A	≤ 0,1 A
Off	≤ 2 mA	≤ 4 mA

## 6 Interfaces

### CAN Bus

- 2 x CAN-Interfaces
- ISO 11898, CAN-specification 2.0 B active
- Up to 1 Mbit/s (250 Kbit/s, 500 Kbit/s, 750 Kbit/s and 1 Mbit/s)

### RS232

1 x RS232-Interface  
Type: EIA232 (only RxD, TxD, GND)  
Speed: max. 115 Kbps

### USB 2.0

Main connector: 1 x High speed  
On front: 1 x USB slot High speed

### Inputs

4 configurable analog/digital inputs  
Input impedance: > 3k Ohm  
Resolution: 12 bit (4096 digits,  
1 digit ~ 3 mV)  
Input range: 0 ... 12V or 4-20 mA or  
0-20 mA  
Max. protectable  
input voltage: 36 VDC  
Protection: Short circuit protection  
Frequency: Max. signal frequency

50 Hz

### Outputs

3 digital outputs  
Short circuit protection: Up to 36 V  
 $I_{max}$ : 300 mA open drain at 12V  
 $R_{DS,on}$ : < 1 Ohm  
 $R_{DS,off}$ : > 100 kOhm

### Audio

- 1 x Audio output (left, right, GND)
- Output power: approx. 65 mW @ 32 Ohm

### Video-Interface

Inputs: 3 x analog (2 live steams)  
 $V_{ss}$ : 1 V  
Camera supply: 12 VDC  
Max. current: 500 mA  
Output: 1x camera control output  
(open drain) for special  
functionality  
(mirror, shutter, heating  
etc.)  
Ampacity 300 mA

### Ethernet-Interface

1 x 10/100 Mbit/s Base T

## 7 Connectors

### Connectors

Main: Tyco-AMP 3-1437290-7  
Video: M12 round connector, female, 5-pole,  
B-coded acc. to EN 61076-2-101  
Ethernet: M12 round connector, female, 4-pole,  
D-coded acc. to EN 61076-2-101

## 8 Software

### Operating System

Linux Kernel

---

### Application Programming

- OPUS Projektor
- Codesys-Tools
- ISO-VT
- C/C++

## 9 Testing and Verification

### CE-Compliance

*EU Directive 2014/30/EC (EMC)* according to

- *EN ISO 13766-1*: Earth-moving and building construction machinery-Electromagnetic compatibility (EMC) of machines with internal electrical power supply
  - *EN ISO 14982*: Agricultural and forestry machinery - Electromagnetic compatibility - Test methods and acceptance criteria
- 

### E1 - Type approval

*EU Directive ECE R10*

---

### Protection Level (IP Code)

IP 65 and IP 66 according to *ISO 20653*: Road Vehicles – Degrees of protection (IP-Code) – Protection of electrical equipment against foreign objects, water and access

---

### Electrical

*12 and 24V-Systems* according to:

- *ISO 16750-2*: Road Vehicles – Environmental conditions and testing for electrical and electronic equipment – Electrical loads
- *ISO 15003*: Agricultural Engineering – Electrical and electronic equipment – Testing resistance to environmental conditions

### Mechanical

- According to *ISO 16750-3*: Road Vehicles – Environmental conditions and testing for electrical and electronic equipment – Mechanical loads, Code L
  - *ISO 15003*: Agricultural Engineering – Electrical and electronic equipment – Testing resistance to environmental conditions
    - Mechanical Shock: Level 2
    - Random Vibration: Level 2
    - Sinusoidal Vibration: Level 2
- 

### Climate

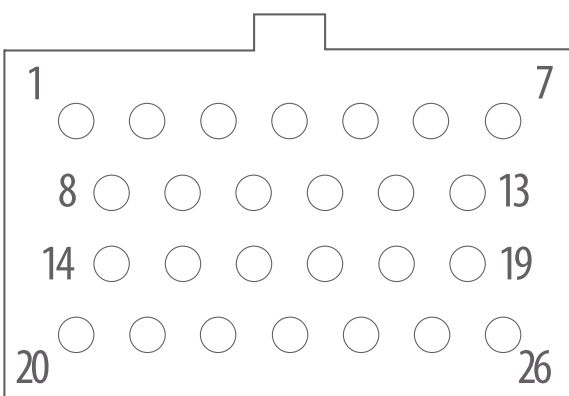
- *ISO 16750-4*: Road Vehicles – Environmental conditions and testing for electrical and electronic equipment – Climatic Loads
  - Operating Temperature Range: -30 ... +65°C
  - Storage Temperature Range: -40 ... +85°C
- *ISO 15003*: Agricultural Engineering – Electrical and electronic equipment – Testing resistance to environmental conditions

## 10 Pinout

### Main connector pinout

Pin. No.	Assignment	Description
1	VCC	supply voltage +; terminal 30
2	Ignition Input	ignition input; terminal 15
3	GND	supply voltage - ;terminal 31
4	CarGND	Car GND
5	AUDIO_L	AUDIO_L
6	AUDIO_R	AUDIO_R
7	AUDIO_GND	AUDIO_GND
8	CAN1H	CAN 1 high
9	CAN1L	CAN 1 low
10	CAN2H	CAN 2 high
11	CAN2L	CAN 2 low
12	USB_VCC	USB +5V supply
13	USB_GND	USB supply GND
14	USB_D-	USB Data -
15	USB_D+	USB Data +
16	RS232 RxD	RS232 receive data
17	RS232 TxD	RS232 transmit data
18	RS232 GND	RS232 GND
19	A/DI3	analog/digital input 3
20	A/DI1	analog/digital input 1, full frequency
21	A/DI2	analog/digital input 2
22	A/DI4 or Wol	analog/digital input 4
23	SERV_EN	service enable
24	DO3	digital/analog output 3
25	DO1	digital output 1
26	DO2	digital output 2

### View on rear side of the A8



OPUS displays in the industrial sector are only intended to use with cable length less than 30 meters

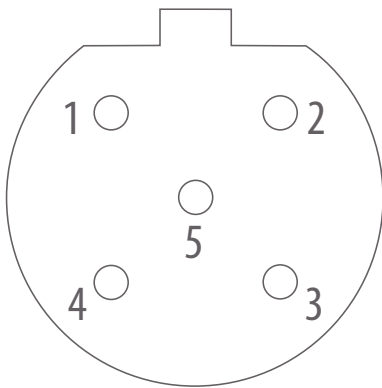
### Video connector pinout

Round Connector, 5 pins, M12	
1	VidSig+
2	Mirror
3	Camera+
4	Camera -
5	VidSig GND

### Ethernet connector pinout

Round Connector, 4 pins, M12, acc. To IEC 61076-2-101	
1	TD+
2	RD+
3	TD-
4	RD-

Video connector, M12, female, 5 pins, b-coded, view on rear side of the A8



Ethernet connector, M12, female, 4 pins, d-coded, view on rear side of the A8

