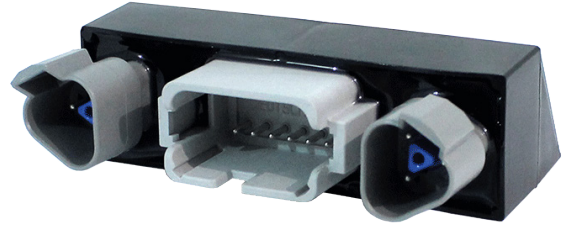


ioBLOC 6 Position Bus Splitter

Provides a cost effective and space efficient way of connecting multiple devices to the CAN bus

Key Features

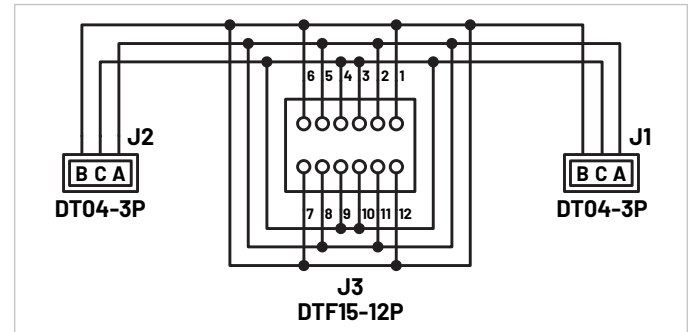
- Reduces bus harnesses
- Reduces bus connections
- Reduces production and actual costs
- Easy harness troubleshooting
- 2 x DT04-3P Deutsch Connectors
 - 6 x Nickel Plated Pins
 - 2 x W3S-J1939 Blue Wedge Locks
- 1 x DTF15-12P 12 pin Deutsch Connector
- Simple 2-point mounting
- IP67 Rated
- Available in additional configurations



Connection Chart

	J1	J2	J3
CAN High	A	A	2, 5, 8, 11
CAN Low	B	B	1, 6, 7, 12
Ground	C	C	3, 4, 9, 10

Connection Drawing



Unit Connections

J1939 Connections (2)	DT04-3P
Mate Connector	DT06-3S
Mate Contact	0462-201-16141
Mate Wedge Lock	W3S-J1939

Bus Connections (1)	DTF15-12PA
Mate Connector	DT06-12SA
Mate Contact	0462-201-16141
Mate Wedge Lock	W12S

Environmental Specifications

Storage Temperature	-45° to 85° C
Operating Temperature	-45° to 85° C
IP Rating	IP67
Package Dimensions	1.31" W x 4.03" L x 2.64" H

Part Number

PN 100001047

ioBLOC 6 Bus (Low Profile)
6 position J1939 bus splitter, nickel pins



ioBLOC 6 Position Bus Splitter

Provides a cost effective and space efficient way of connecting multiple devices to the CAN bus

Technical Drawing

