

# SBlock 6 Position Power & Ground Splitter

A cost effective and space efficient way of connecting multiple devices to the power & ground bus



## Key Features

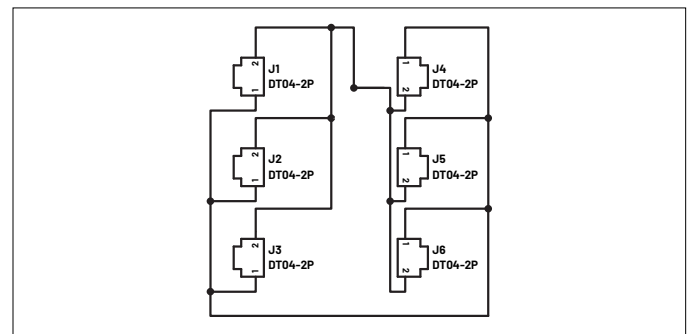
- Reduces bus harnesses
- Reduces bus connections
- Reduces production and actual costs
- Used for power and ground distribution
- Easy harness troubleshooting
- 6 x DT04-2P Deutsch Connectors
  - 12 x 2 pin DT (Tin Plated)
  - 6 x W2S Green Wedge Locks
- Simple 2-point mounting
- IP67 Rated
- Available in additional configurations



## Unit Connections

Splitter Connections (6)	DT04-2P
Mate Connector	DT06-2S
Mate Contact	0462-201-16141
Mate Wedge Lock	W2S

## Connection Drawing



## Environmental Specifications

Storage Temperature	-45° to 85° C
Operating Temperature	-45° to 85° C
IP Rating	IP67
Package Dimensions	2.05" W x 4.06" L x 1.8" H

## Part Number

**PN 100001051**

Sblock power and ground splitter, 6 position

## Technical Drawing

