

Technical Data Sheet OPUS A3 STANDARD Basic



1 Notes and Warnings

⚠ Attention!

This description is not a substitution for the concerned product's documentation. Please do read the documentation including the manuals carefully before dealing with this product. If the safety instructions in the documentation are not followed dangerous situation can occur that can result in damages, injuries and/or death by high voltage or wrong handling. In case you do not have the correct documentation you can order it by contacting dl-opus-info@topcon.com. Only properly trained personnel with the correct qualification are allowed to handle the device.

⚠ Attention!

Do not open the housing to avoid danger to high voltages. Before touching the electric assemblies make sure that the electricity is switched off completely. If the front pane is broken the device needs to be taken out of service due to risk of injury. If perceivable damages on the device exist that can compromise the functionality, it must be taken out of service due to the danger of malfunctions. These particularly include damages to the LCD display, damages to the keyboard, damages that compromise the protection level and damages to the encoder knobs.

Please note:

All content is subject to change without notice. Errors and omissions excepted.

Mounting and Handling

1. Do not use the cable as a handle to carry the device.
2. Mounting in clean working environment only. Dust and oil can harm the electric contacts and compromise the functionality.
3. Do not mount the device under the use of violence because it can cause damage.
4. The device must be mounted by trained personnel only into especially designed and tested systems.
5. The device must not be opened or disassembled.
6. The device is to be cleaned with a moist fuzz free cotton cloth. If necessary a mild cleaning agent can be used. Do not use acid or abrasive cleaning agents.
7. The device is to be stored in a cool and dry environment and to be protected against sun shine.
8. If the environmental temperature is beneath 10°C the reaction time of the display increases.

2 General Information

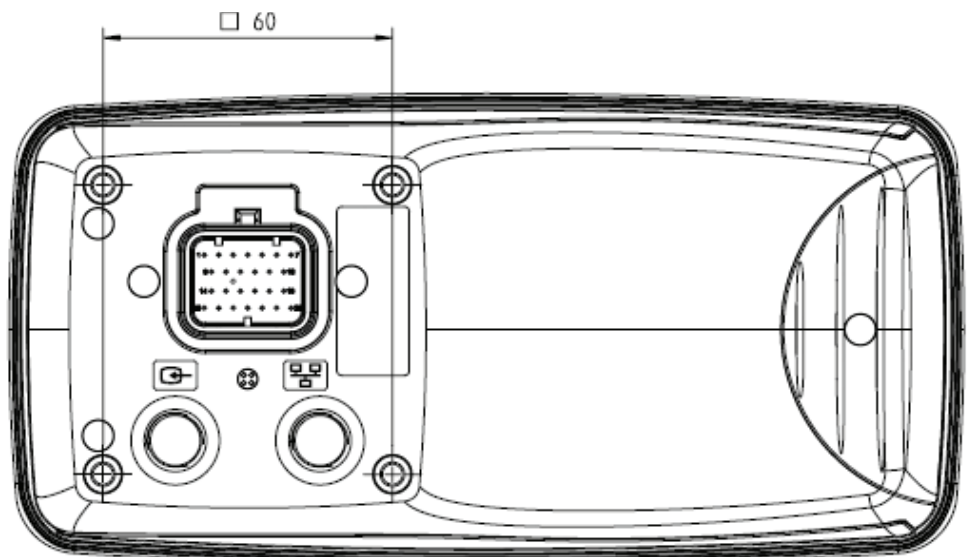
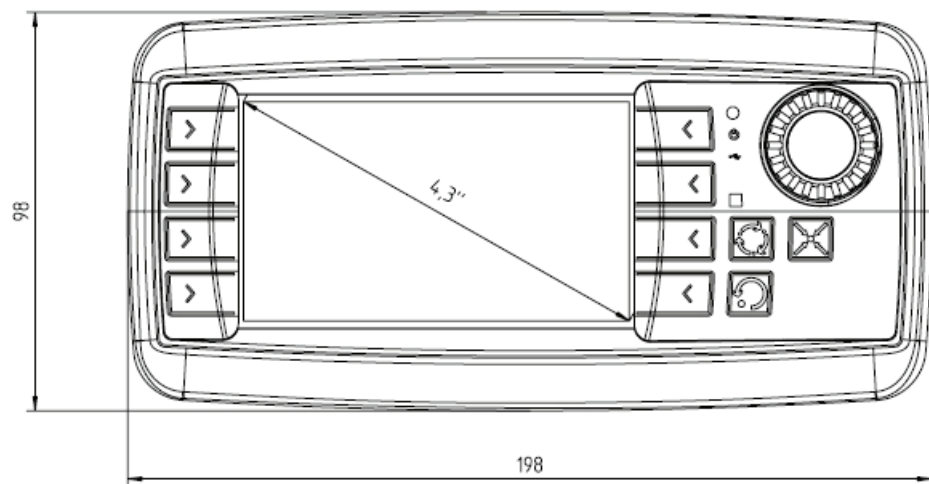
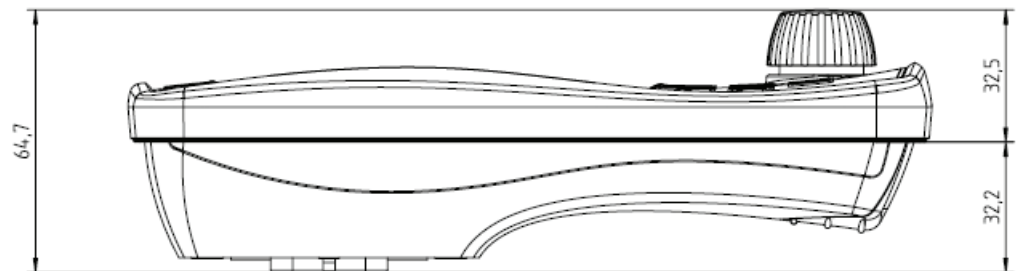
Order Numbers

This documentation is valid for **OPUS A3** order numbers as follows:

	OPUSA35N1CANB000	OPUSA35N1CDSB000	OPUSA35N1ISOB000
OPUS Projektor	•		
CoDeSys		•	
ISO-VT			•

The neutral versions (N) will substitute the portrait (P) and landscape (L) versions.

Dimensions



Housing

Plastic housing, colored light grey (RAL 7035) with black rubber frame.

Mounting

- Landscape or portrait
- Standalone
- In-dash

3 Display

Type:	TFT Color Graphic LCD with LED backlight	Colors:	16.7 Mio.
Size:	4.3", 95 mm (W) x 53 mm (H)	Brightness:	typ. 400 cd/m ²
Resolution:	480 x 272 px (WQVGA), 15:9	Contrast Ratio:	typ. 400:1

4 Input Devices

- Left Keypad**
- 4 keys with tactile feedback
 - Blue LED backlight
 - Lifetime 1.000.000 actuations

- Indicators and Sensors**
- Light sensor
 - 1 Multicolor-LED
 - 2 Status-LED's

- Right Keypad**
- 4+3 keys with tactile feedback
 - Blue LED backlight
 - Lifetime 1.000.000 actuations

- Encoder**
- Electromechanical encoder with 16 mechanical detents and push function
 - Lifetime: 1 million cycles

5 Electronics

Processor platform

- CPU: Freescale I.MX35®, 532 MHz
 Mass storage: 512 MByte (approx. 450 MB for customer use)
 RAM: 128 MByte
 RTC: Buffered by gold cap

Current consumption (without external load), max.

Power Mode	Current at 13,5 V DC	Current at 27 V
On	430 mA	240 mA
Low-power	160 mA	90 mA
Sleep	90 mA	55 mA
Off	< 3 mA	< 3 mA

Power supply

- System supplied through terminal 30 (battery +, see pinout) and 31 (battery -, see pinout).
 Terminal 15 (ignition) to be used to switch on/off.
 Operating voltage range: 9 ... 36 V DC
 Short circuit protection.
 Over-voltage protection up to 48V for 2 minutes.
 Inverse polarity protection up to -48 V DC.

6 Interfaces

CAN Bus

2 x CAN-Interfaces according to ISO 11898, CAN-specification 2.0 B active, up to 1 Mbit/s (default 250 Kbit/s, 500 Kbit/s, 750 Kbit/s and 1 Mbit/s)

RS232

1 x RS232-Interface
Type: EIA232 (only Rx/D, Tx/D, GND)
Speed: max. 115 Kbps

USB

Host 2.0
Main connector: 1 x Full speed typ. 150 mA

7 Connectors

Connectors

Main: Tyco-AMP 1437288-6
Mating connector (customer)
Tyco-AMP 3-1437290-7
Mating crimp contact (customer)
Tyco-AMP 3-1447221-4
Dummy Plug (customer)
Tyco AMP 4-1437284-3

8 Software

Operating System Linux Kernel 3.0.0 or higher

Application Programming

- OPUS Projektor
- Codesys-Tools (3.X)
- ISO-VT
- C/C++

9 Testing and Verification

CE-Compliance

EU Directive 2014/30/EU (EMC) according to

- *EN 12895: Industrial Trucks – Electromagnetic compatibility*
- *EN 13309: Construction machinery – Electromagnetic compatibility of machines with internal electrical power supply*
- *EN ISO 14982: Agricultural and forestry machinery - Electromagnetic compatibility - Test methods and acceptance criteria*

E1 - Type approval

EU Directive ECE R 10.4

Protection Level (IP Code)

IP 65 and IP 66 according to *ISO 20653: Road Vehicles – Degrees of protection (IP-Code) – Protection of electrical equipment against foreign objects, water and access*

Electrical

12 and 24V-Systems according to ISO 16750-2: Road Vehicles – Environmental conditions and testing for electrical and electronic equipment – Electrical loads

- *ISO 15003: Agricultural Engineering – Electrical and electronic equipment – Testing resistance to environmental conditions*

Mechanical

- *ISO 16750-3: Road Vehicles – Environmental conditions and testing for electrical and electronic equipment – Mechanical loads, Code L*
- *ISO 15003: Agricultural Engineering – Electrical and electronic equipment – Testing resistance to environmental conditions*
 - Mechanical Shock: Level 2
 - Random Vibration: Level 2
 - Sinusoidal Vibration: Level 2

Climate

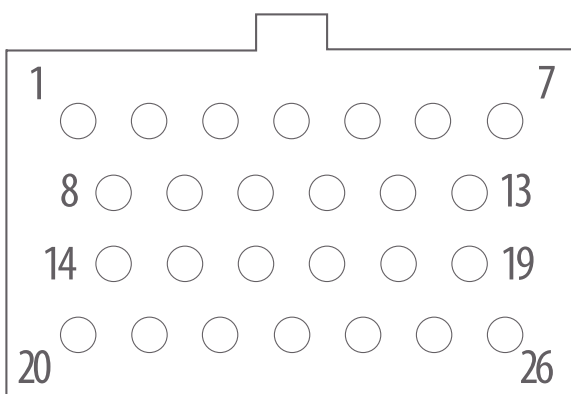
- *ISO 16750-4: Road Vehicles – Environmental conditions and testing for electrical and electronic equipment – Climatic Loads*
 - Operating Temperature Range: -30 ... +65°C
 - Storage Temperature Range: -40 ... +85°C
- *ISO 15003: Agricultural Engineering – Electrical and electronic equipment – Testing resistance to environmental conditions*

10 Pinout

Main connector pinout

Pin. No.	Assignment	Description
1	VCC	supply voltage +; terminal 30
2	Ignition Input	ignition input; terminal 15
3	GND	supply voltage - ;terminal 31
4	CarGND	Car ground
5	n. c.	Not connected
6	n. c.	Not connected
7	n. c.	Not connected
8	CAN1H	CAN 1 high
9	CAN1L	CAN 1 low
10	CAN2H	CAN 2 high
11	CAN2L	CAN 2 low
12	USB_VCC	USB +5V DC supply
13	USB_GND	USB supply ground
14	USB_D-	USB Data line -
15	USB_D+	USB Data line +
16	RS232 RxD	RS232 receive data
17	RS232 TxD	RS232 transmit data
18	RS232 GND	RS232 ground
19	n. c.	Not connected
20	n. c.	Not connected
21	n. c.	Not connected
22	n. c.	Not connected
23	SERV_EN	service enable
24	n. c.	Not connected
25	n. c.	Not connected
26	n. c.	Not connected

View on rear side of the A3



OPUS displays in the industrial sector are only intended to use with cable length less than 30 meters

11 Mounting accessories (not included)

Standalone mounting adaptor for RAM® mounting system (OPUSA3ZBAH001)

Material	PC+ABS
Dimensions	74x84x42 mm (WxHxD)
Operating Temperature	-30 ... +75 °C
Storage Temperature	-40 ... +85 °C
Max mounting torque	2.5 ± 0.2 Nm



Mounting kit (RAM® Mount 1,5", adapter cover) (OPUSBERM004)

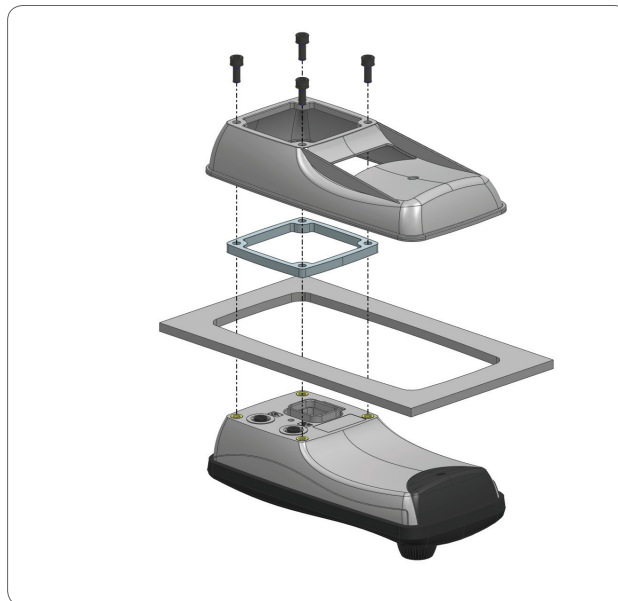
- 1x RAM® - 101 U
- 1x Adapter for RAM® mounting system
- 7x Cylinder head bolt M5x12 DIN 912



In-Dash mounting frame (OPUSA3ZBEB001)

Material	PC+ABS
Dimensions	199x100x33 mm (WxHxD)
Operating Temperature	-30 ... +75 °C
Storage Temperature	-40 ... +85 °C
Max mounting torque	2.5 ± 0.2 Nm

Delivery includes highlighted part only.
Please follow the instructions for in-dash mounting.



26 pin connector, contact pins, dummy plugs
(OPSVF26001)

